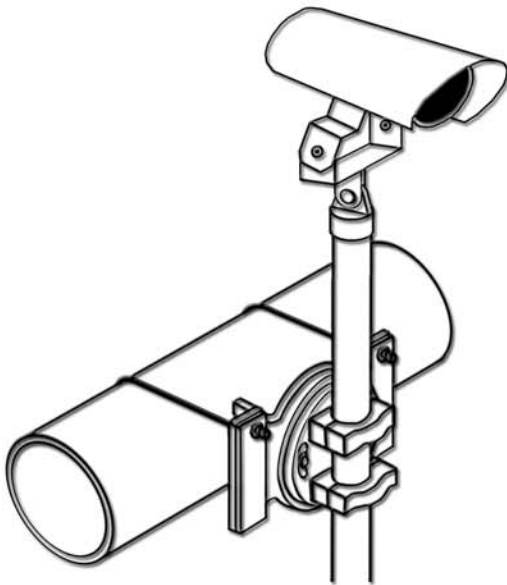


# MASTER BRACKET CAMERA MOUNT



**3075-MA-1**



**3075-MA-4**



**3075-MA-2**



**3075-MA-3**



**H-3075-CM**



**3075-CM-Y**



**SS-C**

**3075-CM: 3075-MA-1, 3075-MA-2, 3075-MA-3, 3075-MA-4, 3075-CM-Y, H-3075-CM, SS-C, Pipe 6ft**

**Cable Length Options: 52", 80", 109", 120"**