

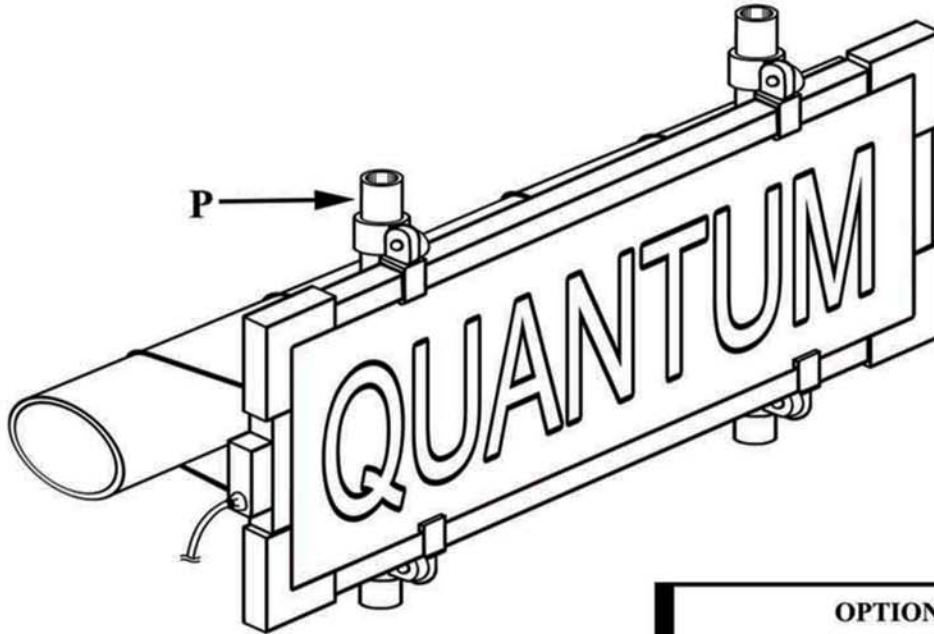


**ENGINEERED
CASTINGS**

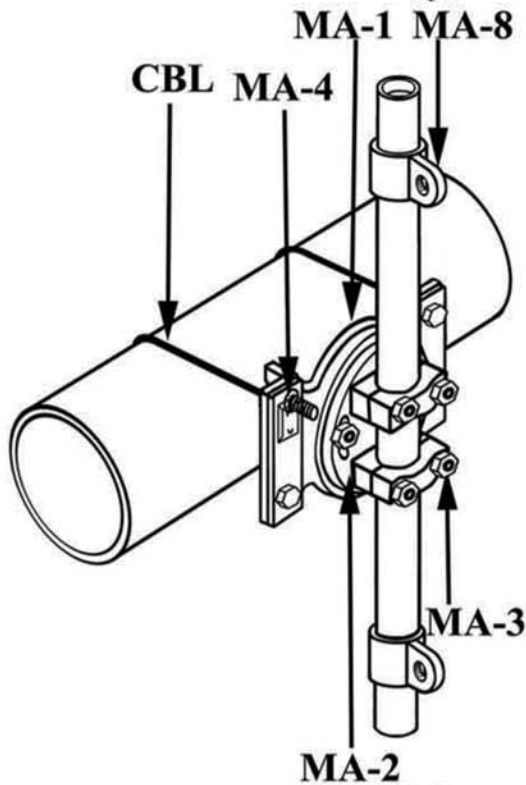
Manufacturer
of
Traffic Hardware
and
Led Edge Lit Illuminated Signs



MASTER BRACKET ILLUMINATED SIGNS



OPTIONS
CABLE LENGTH: 52", 80", 109", 120"



MA-1 MOUNTING BRACKET-ALUM

MA-2 ANGLE ADJUSTER-ALUM-STUDS CAST SS

MA-3 PIPE CLAMP- 2 EACH-ALUM

MA-4 CABLE CLAMP- 2 EACH-ALUM

MA-8 SWIVEL FITTING- 2 EACH-ALUM

CBL CABLE & THREADED FITTING SS- 2 EACH

P ALUMINUM PIPE

LARGE WASHERS, SMALL WASHERS, BOLTS AND NUTS ARE SS.



954-321-3693



954-321-3694

22



info@ecql.com
sales@ecql.com

www.ecql.com